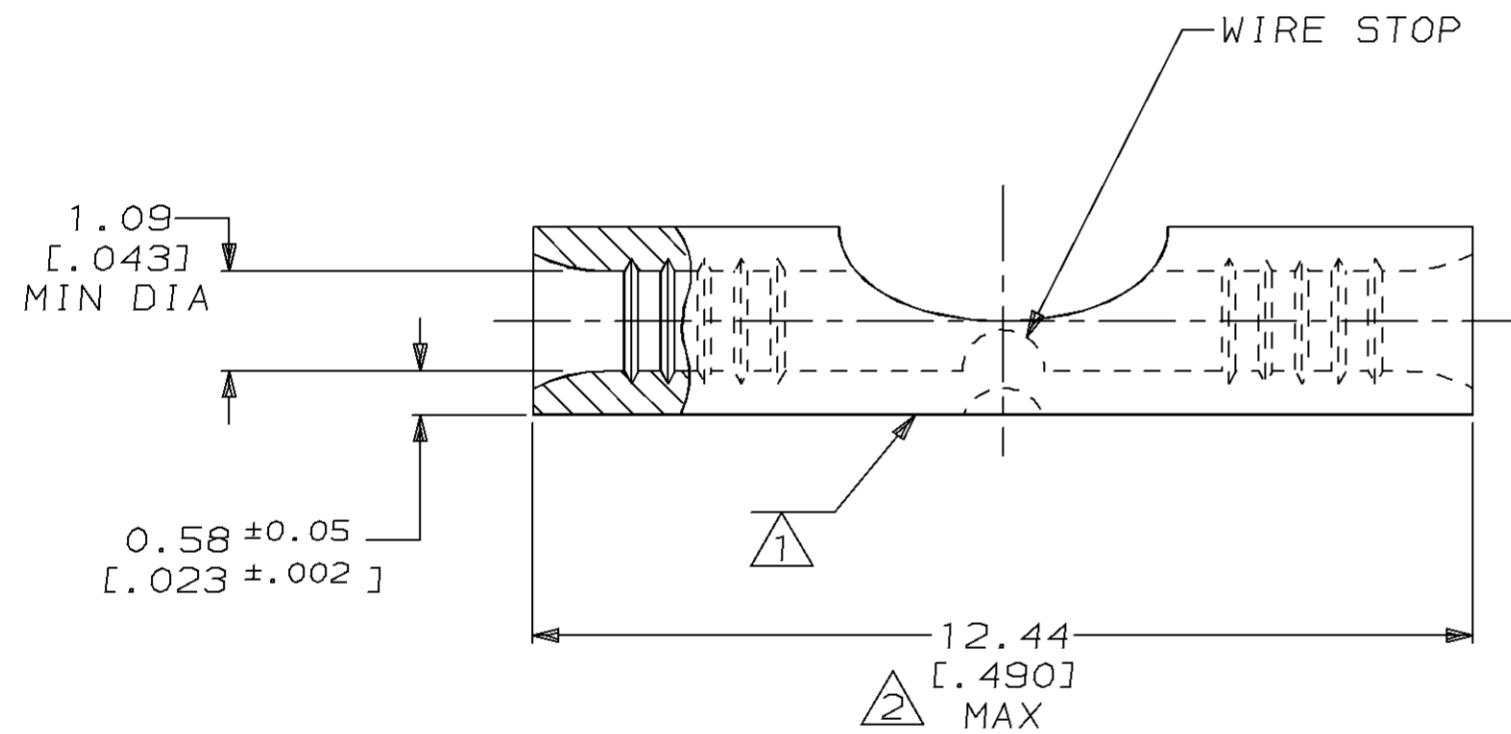
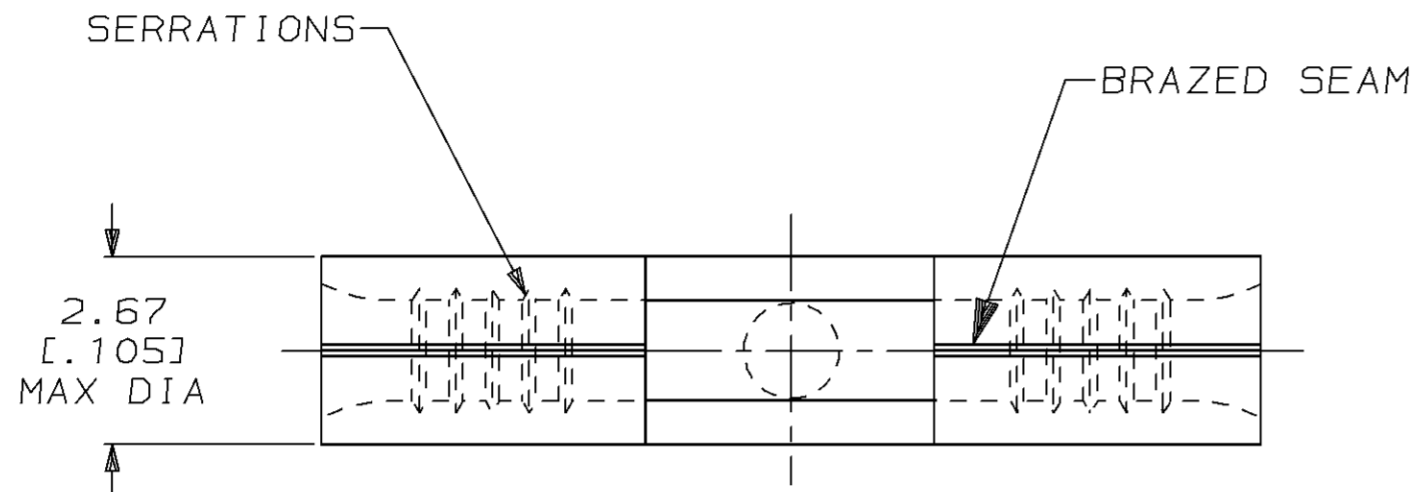


THIS DRAWING IS UNPUBLISHED. RELEASED FOR PUBLICATION ,19 .
 © COPYRIGHT 19 BY AMP INCORPORATED. ALL INTERNATIONAL RIGHTS RESERVED.

LOC		DIST		P		F		REVISIONS		DATE	APPD
G	14							ZONE	LTR	DESCRIPTION	
								B		REVISED & REDRAWN PER 0720-0044-94	4/29/94
											DKS DAP

METRIC
 DIMENSIONS LISTED IN mm [INCHES]



AMP WIRE RANGE	UL E13288 Listed
24-20 AWG SOLID OR STRANDED	NOT LISTED
SR LR7189 Certified	MILITARY P/N AND CLASS
NOT CERTIFIED	NOT APPLICABLE

- ① STAMP AMP APPROX AS SHOWN
- ② MAXIMUM LENGTH DOES NOT INCLUDE MANUFACTURING TABS
- ③ GOLD PLATE 0.00127[.000050] MIN THK PER MIL-G-45204 OVER NICKEL PLATE 0.00762[.000030] MIN THK PER QQ-N-290

AMP INCORPORATED
CUSTOMER SERVICE SYSTEMS

FOR ADDITIONAL PRODUCT INFORMATION OR COPIES OF DRAWINGS AND TECHNICAL DOCUMENTS	PRODUCT INFORMATION CENTER 1-800-522-6752
FOR APPLICATION TOOLING INFORMATION	TOOLING ASSISTANCE CENTER 1-800-722-1111
FOR ORDER ENTRY	1-800-526-5142

MAX RECOMMENDED OPERATING TEMPERATURE:
 170°C MAX

VOLTAGE RATING:
 NOT APPLICABLE

WIRE CROSS SECTIONAL AREA RANGE:
 0.16-0.65mm² [320-1,290] CIR MILS
 SOLID OR STRANDED

THIS DRAWING IS A CONTROLLED DOCUMENT FOR AMP INCORPORATED. IT IS SUBJECT TO CHANGE AND THE CONTROLLING ENGINEERING ORGANIZATION SHOULD BE CONTACTED FOR THE LATEST REVISION.

DO NOT SCALE PRINT. UNLESS SPECIFIED DIMENSIONS IN mm [INCHES] TOLERANCES ON:	DR 4/29/94 DK SCHRUM
2 PLC DEC ± -	CHK 5/5/94 DA PATTERSON
3 PLC DEC ± -	APPD 5/5/94 CH KULYNYCH
ANGLES ± -	APPD 5/5/94 JL MECKLEY
MATERIAL COPPER PER ASTM B-152 ANNEALED	PRODUCT SPEC -
FINISH ③	APPLICATION SPEC -
	WEIGHT -

-	LOOSE PIECE, BOX	328588
QTY	PACKAGE TYPE	PART NO
AMP AMP Incorporated Harrisburg, PA 17105-3608		
NAME SPLICE, BUTT, STRAP, SOLISTRAND™		
SIZE C	CAGE CODE 00779	DRAWING NO G=328588
SCALE 10:1		SHEET 1 OF 1